

FIGURA : 01

$$C_T = \frac{1}{1/C_1 + 1/C_2 + 1/C_3 \dots}$$

FIGURA : 02

$$C_T = \frac{1}{1/C_1 + 1/C_2 + 1/C_3}$$

FIGURA : 03

$$L_T = \frac{1}{1/L_1 + 1/L_2 + 1/L_3 \dots}$$

FIGURA : 04

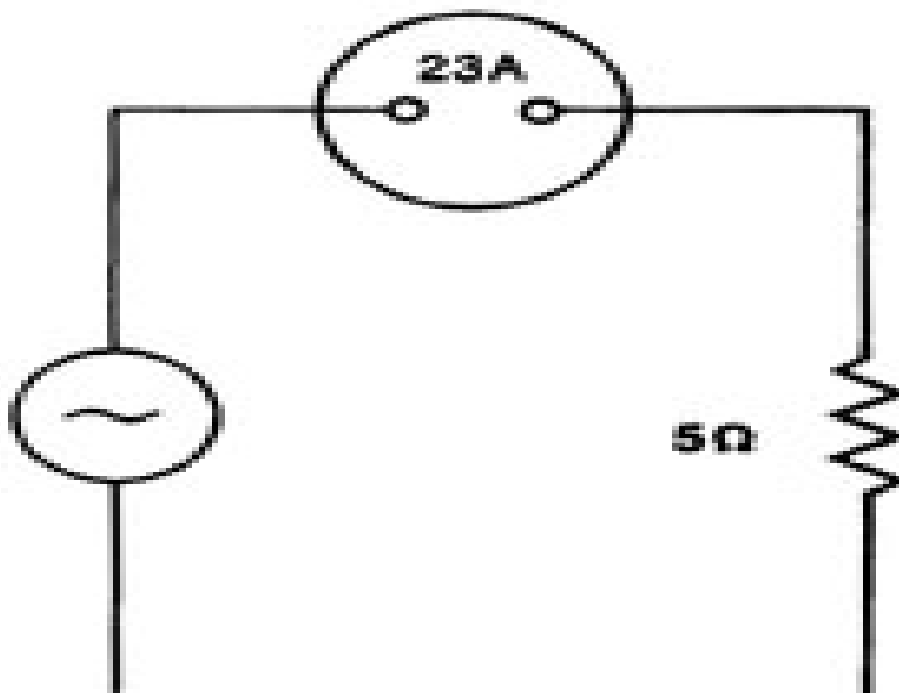


FIGURA : 05

$$Z = \sqrt{R^2 + (X_L - X_C)^2}$$

Z = Impedance

R = Resistance

X_L = Inductive Reactance

X_C = Capacitive Reactance

FIGURA : 06

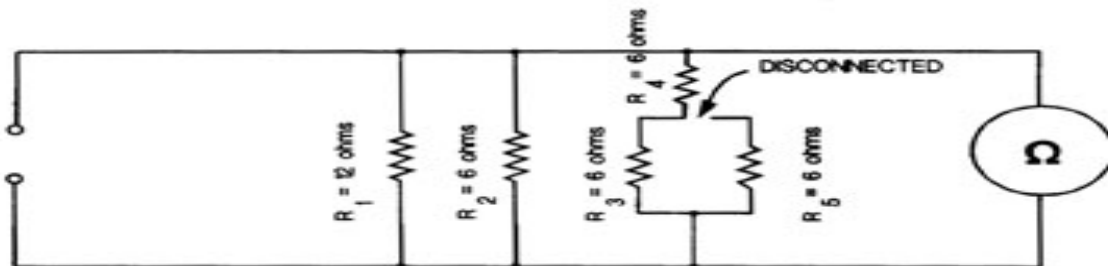


FIGURA : 07

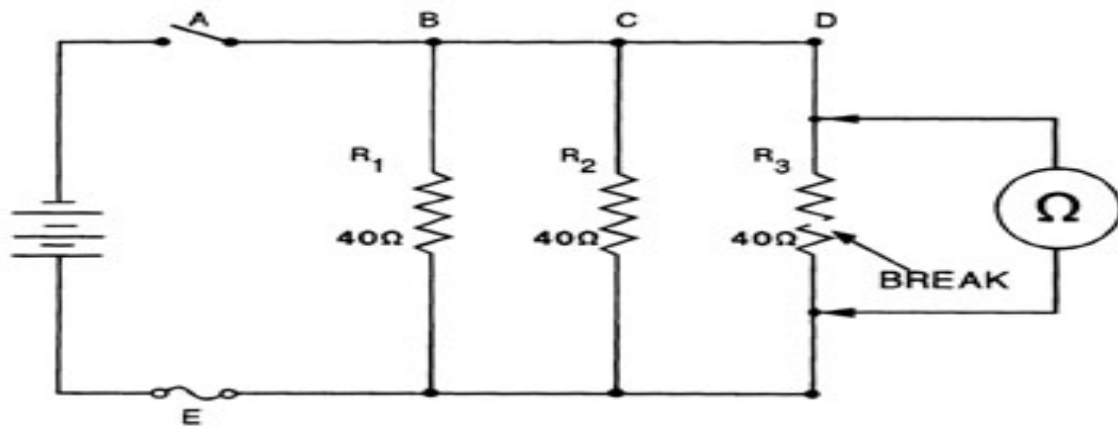


FIGURA : 08

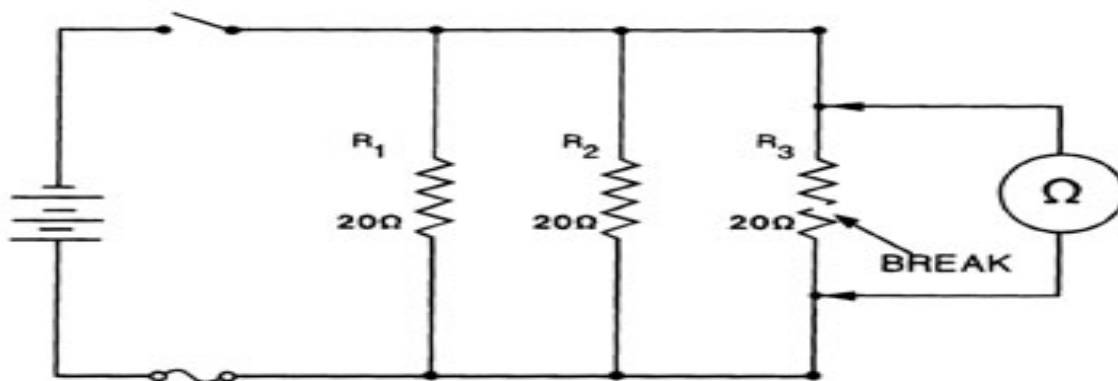


FIGURA : 09

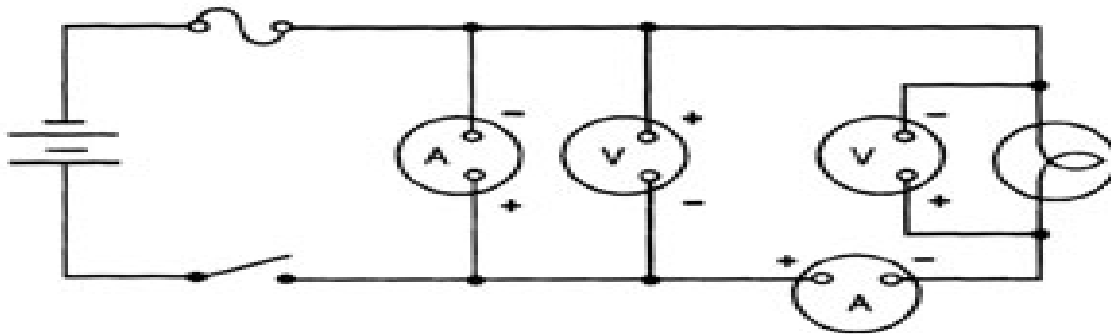


FIGURA : 10

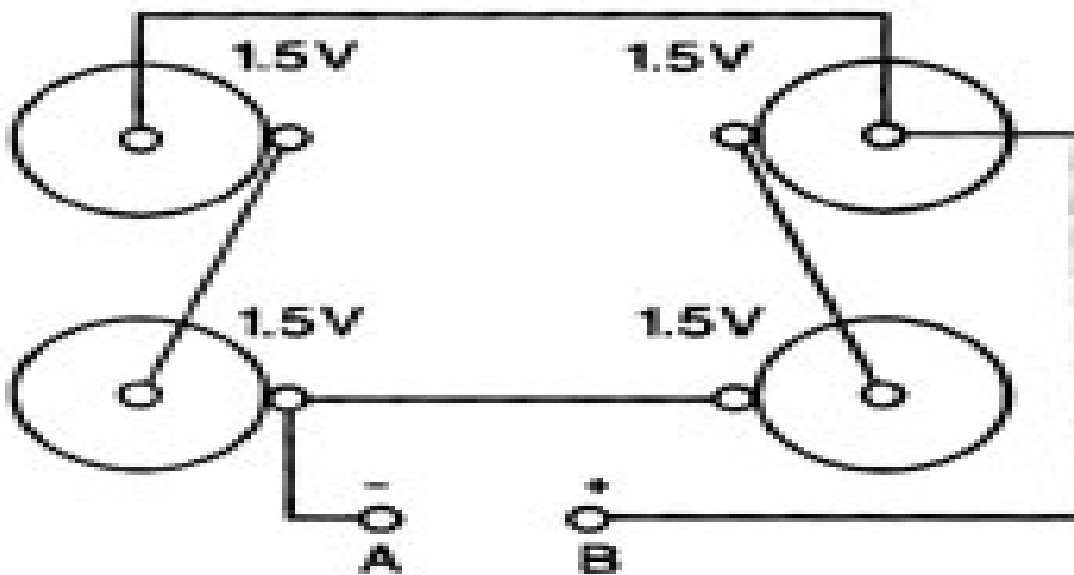


FIGURA : 11

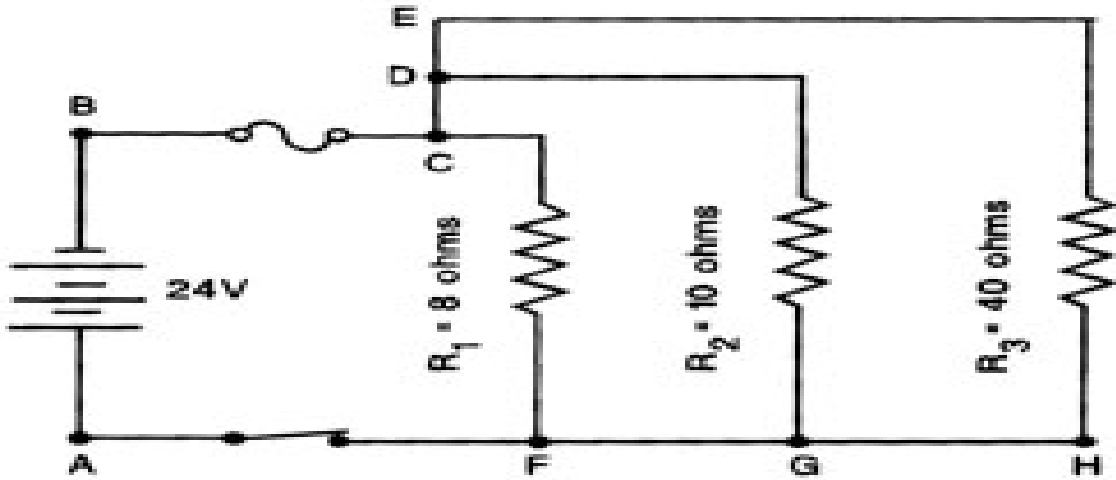
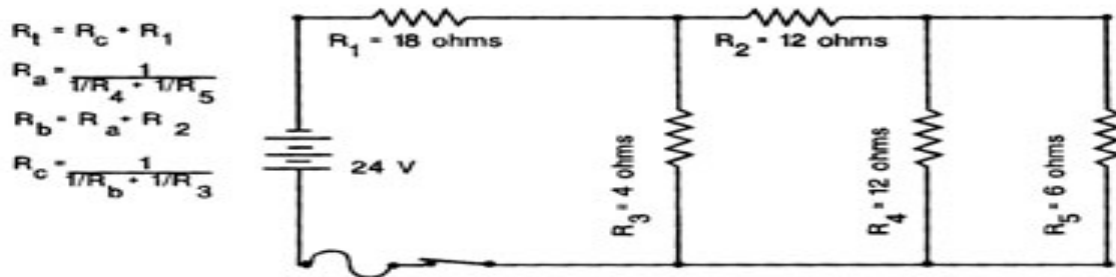


FIGURA : 12



$$R_t = R_c + R_1$$

$$R_a = \frac{1}{1/R_4 + 1/R_5}$$

$$R_b = R_a + R_2$$

$$R_c = \frac{1}{1/R_b + 1/R_3}$$

FIGURA : 13

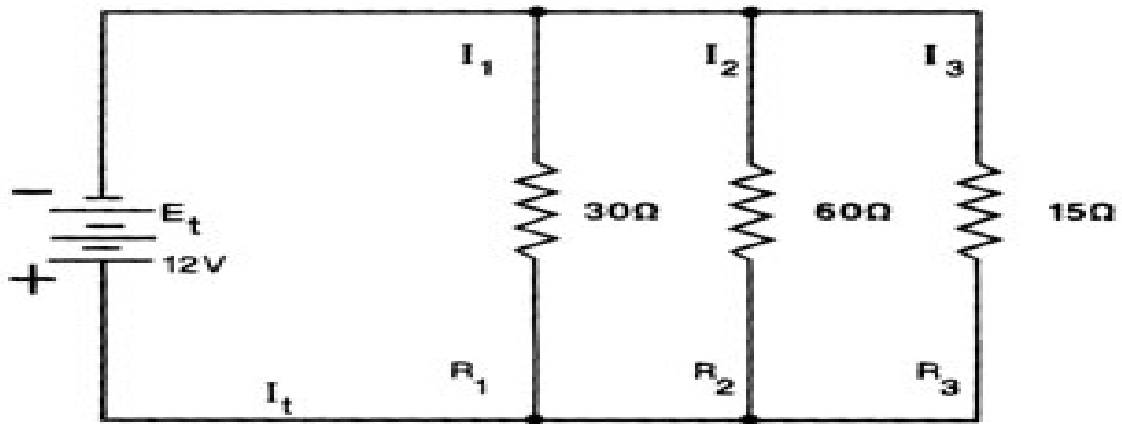


FIGURA : 14

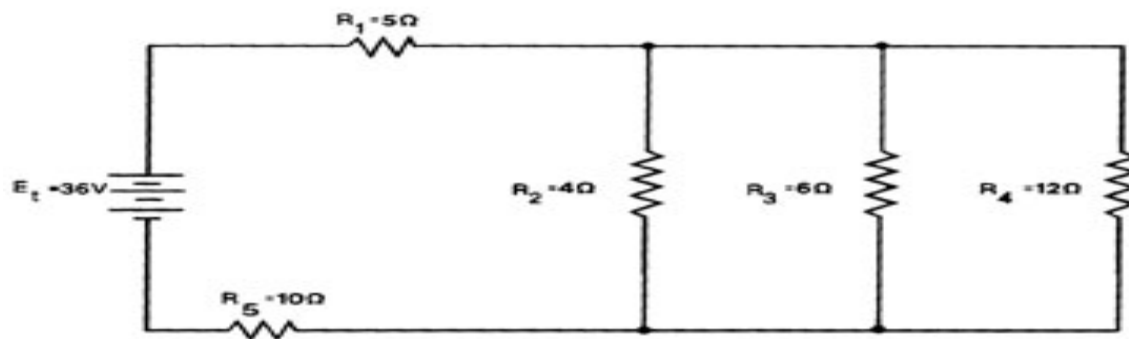


FIGURA : 15

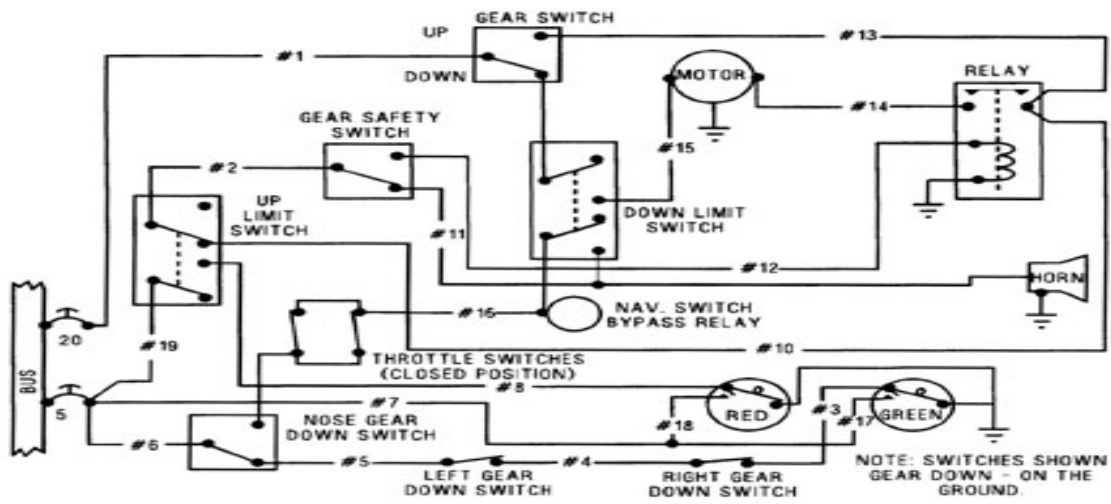


FIGURA : 16

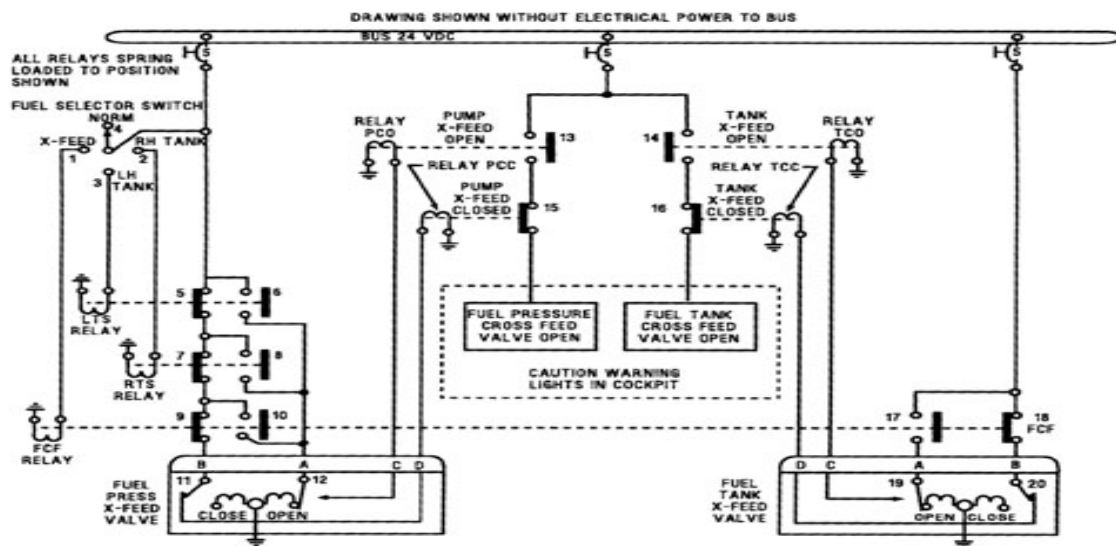


FIGURA : 17

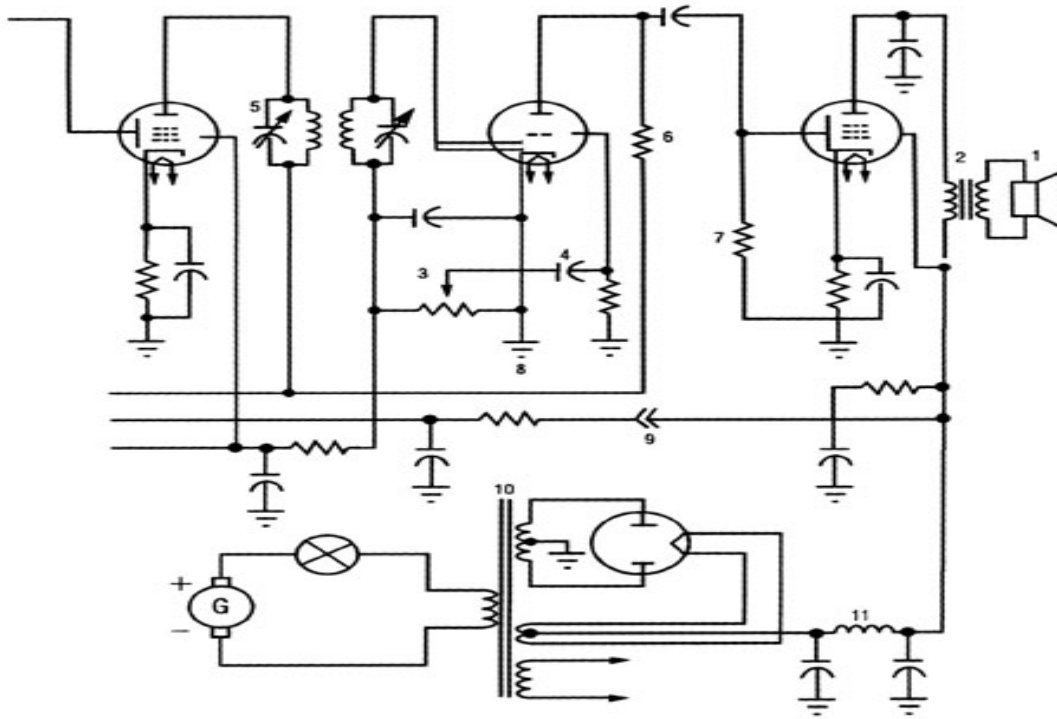


FIGURA : 18

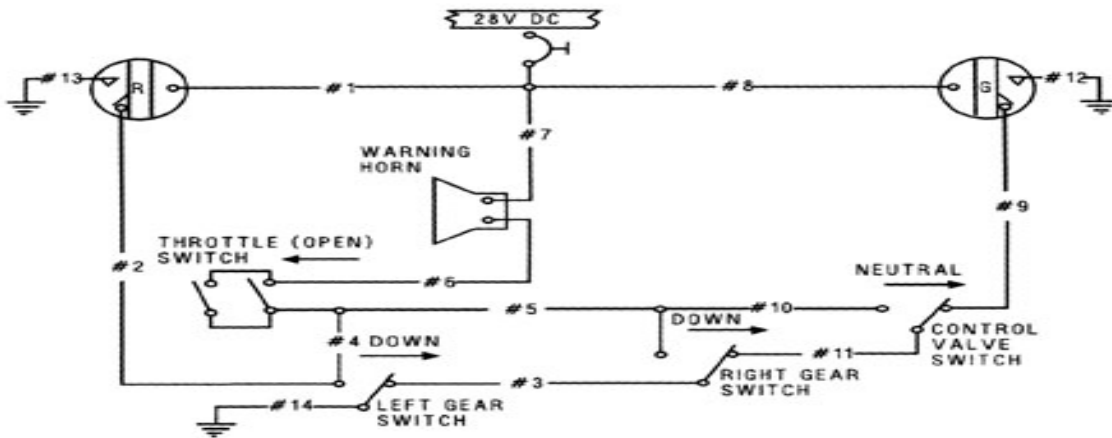


FIGURA : 19

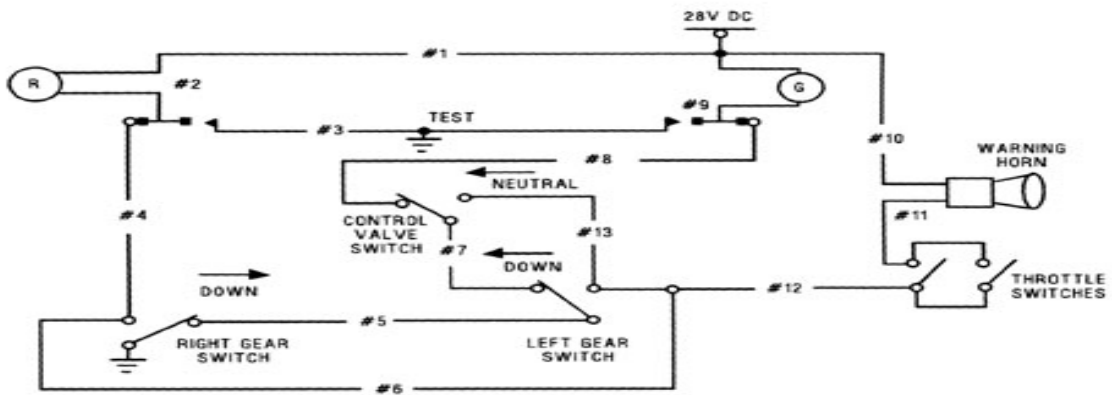


FIGURA : 20

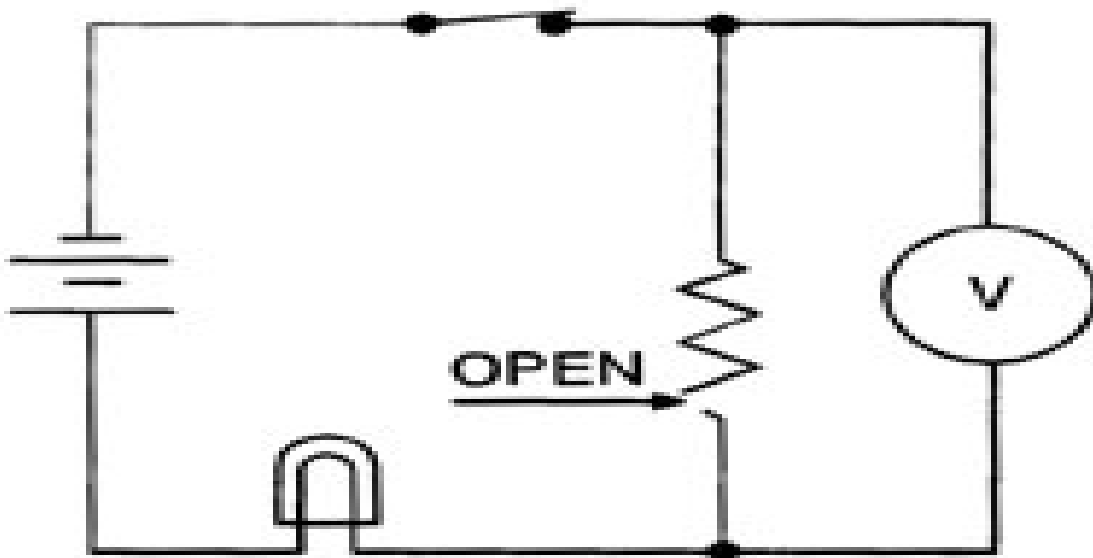


FIGURA : 21

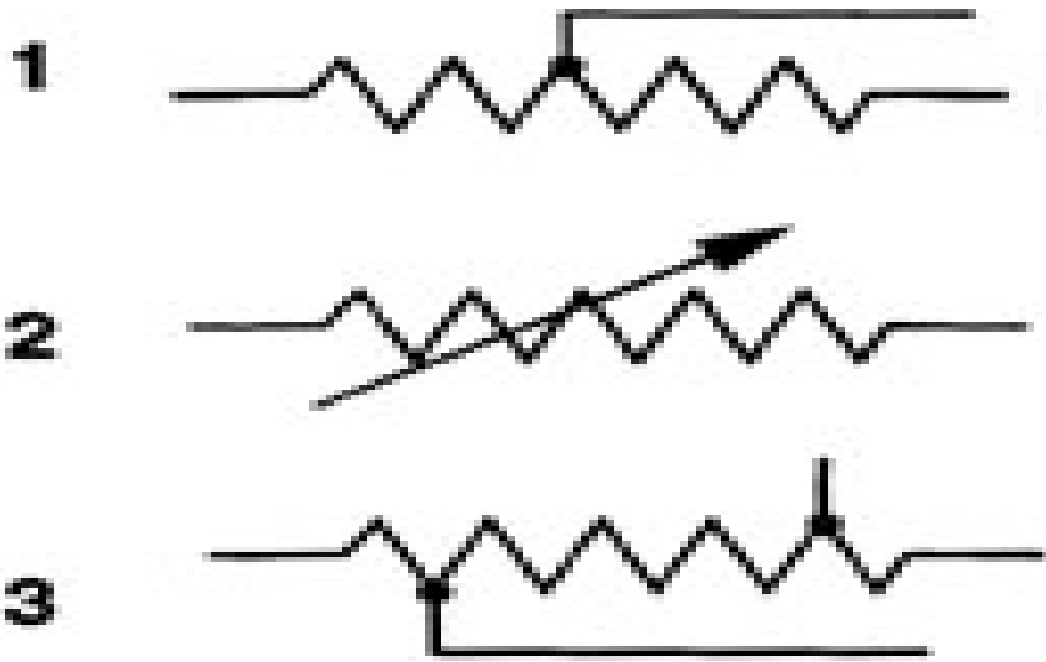


FIGURA : 22

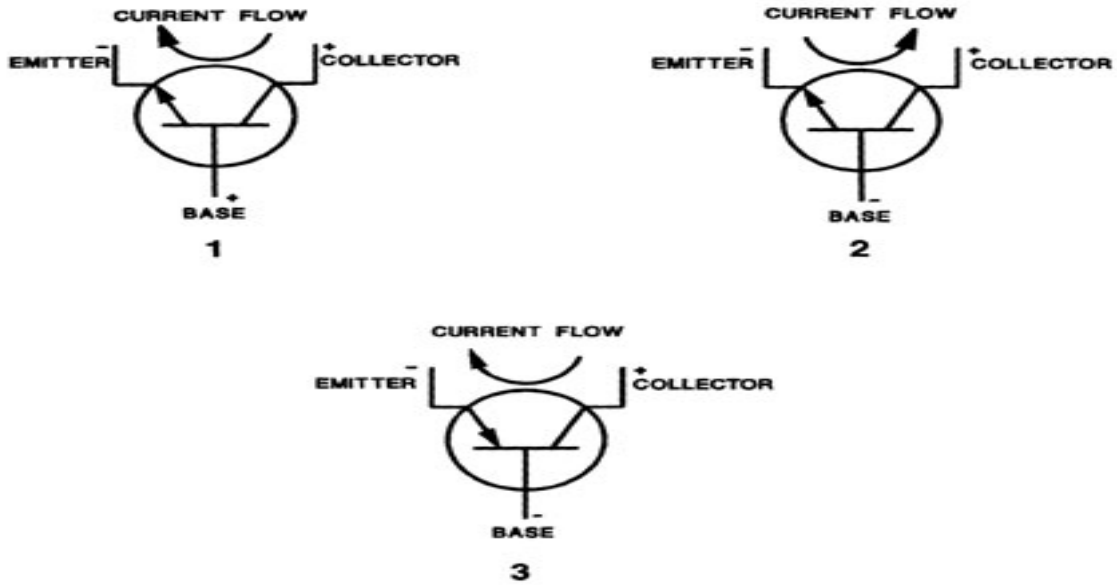


FIGURA : 23

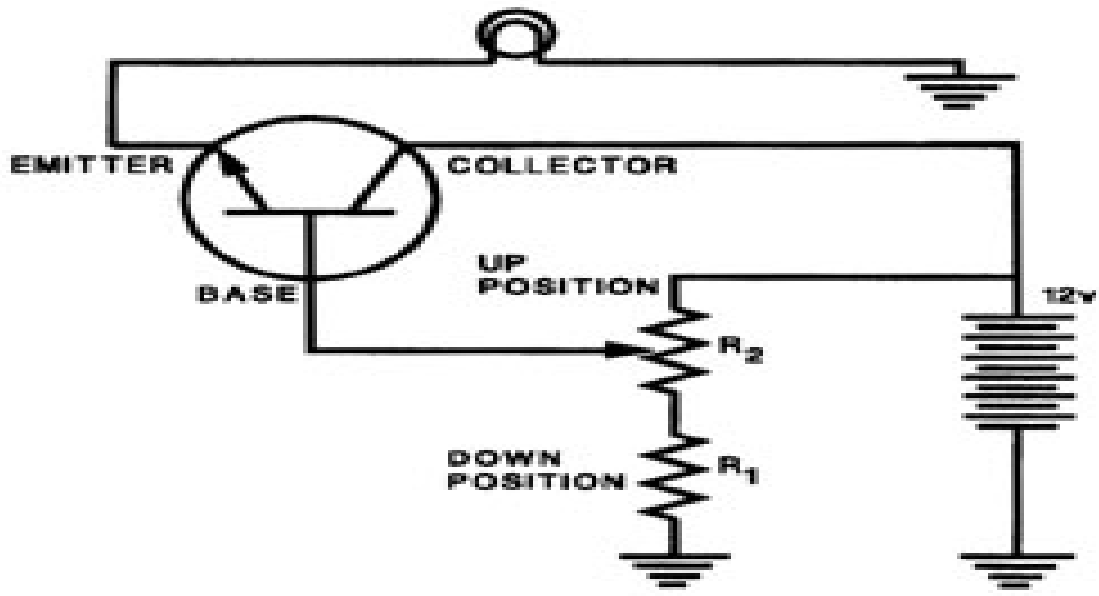


FIGURA : 24

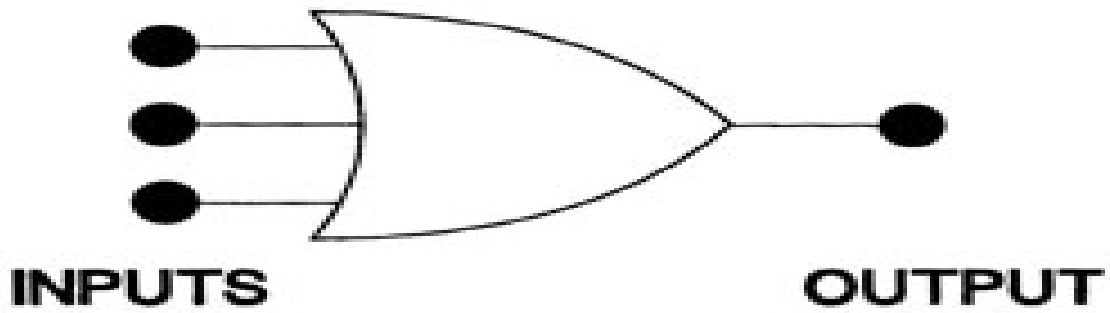


FIGURA : 25

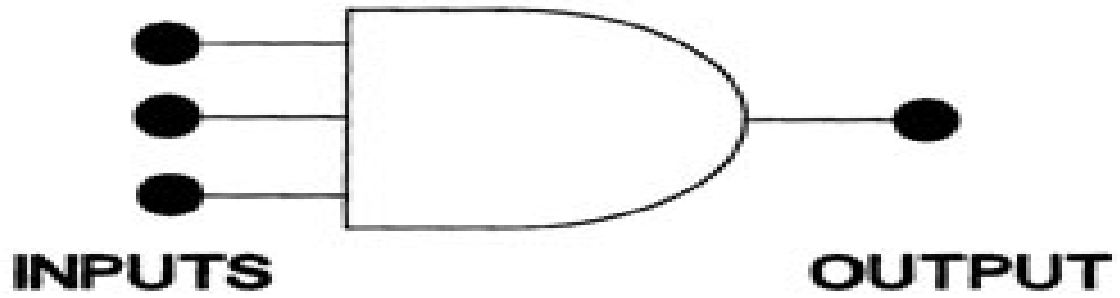


FIGURA : 26

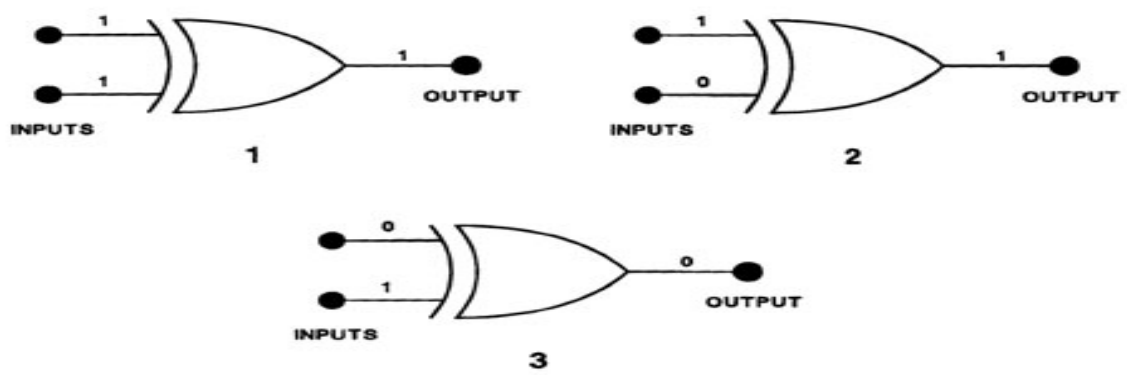


FIGURA : 27

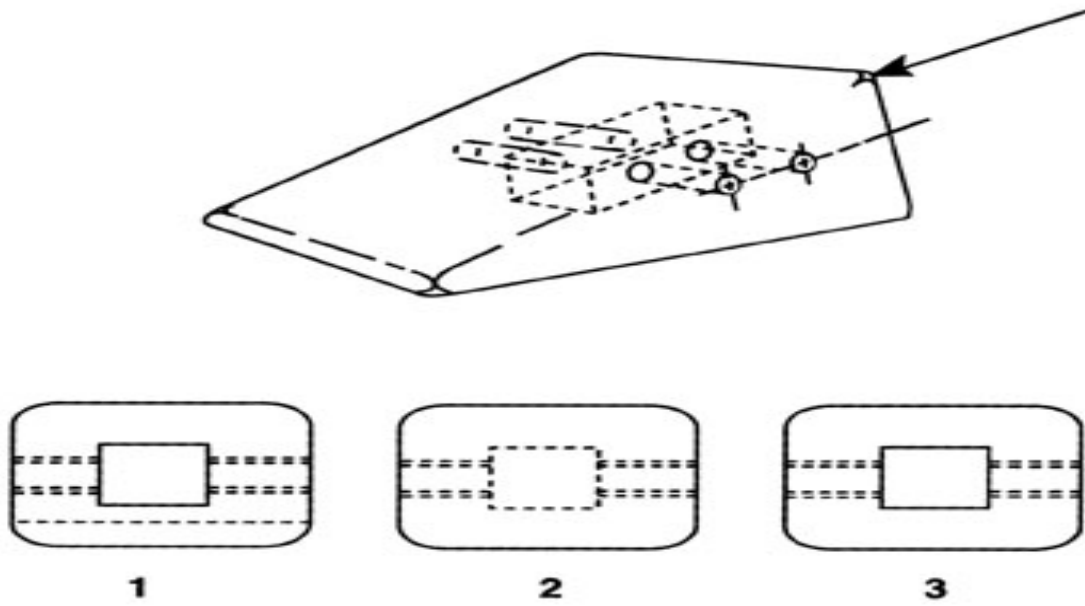


FIGURA : 28

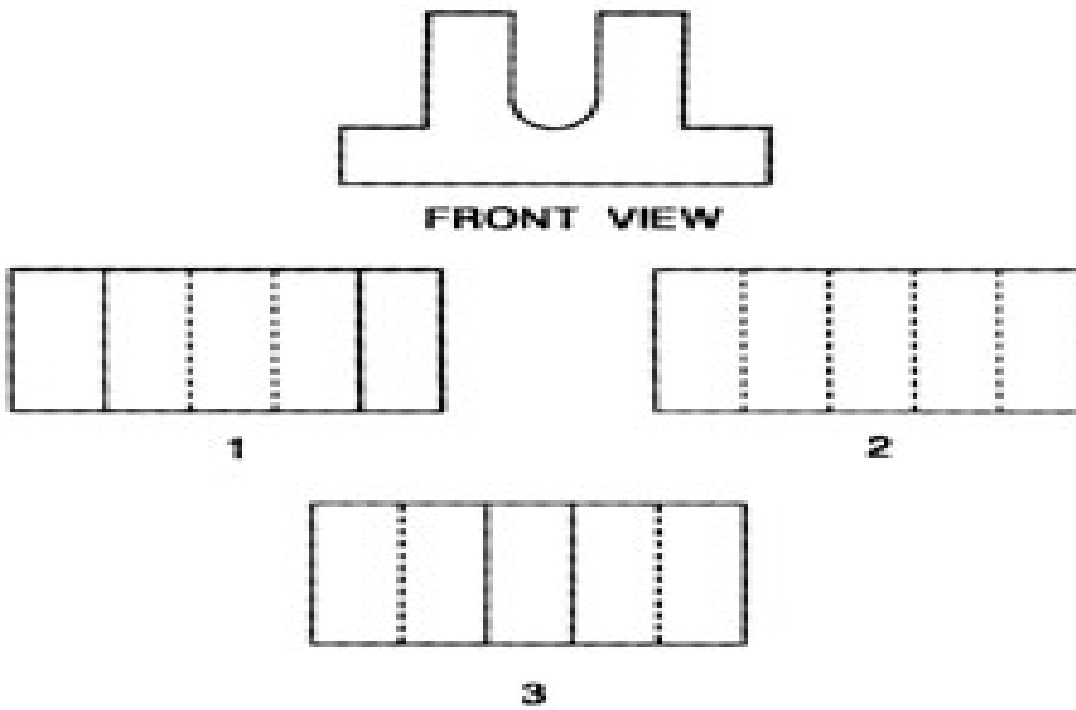


FIGURA : 29

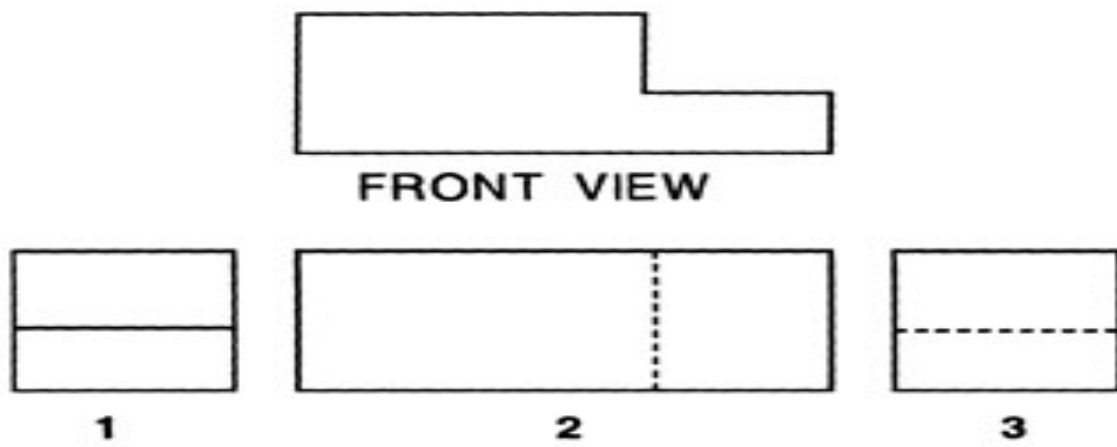


FIGURA : 30

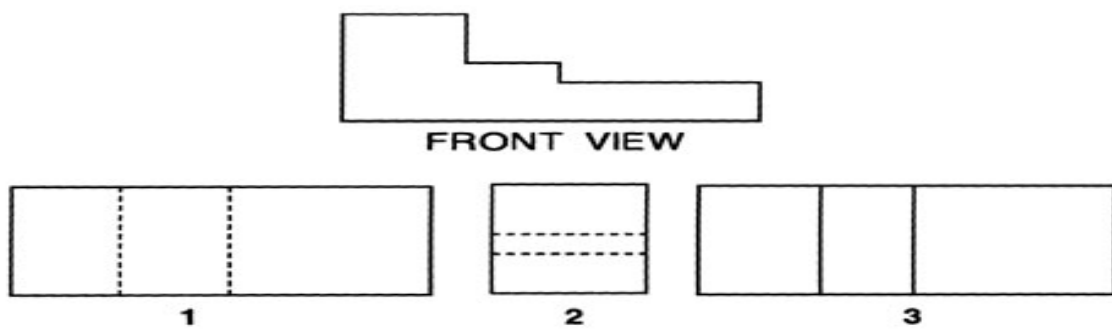


FIGURA : 31

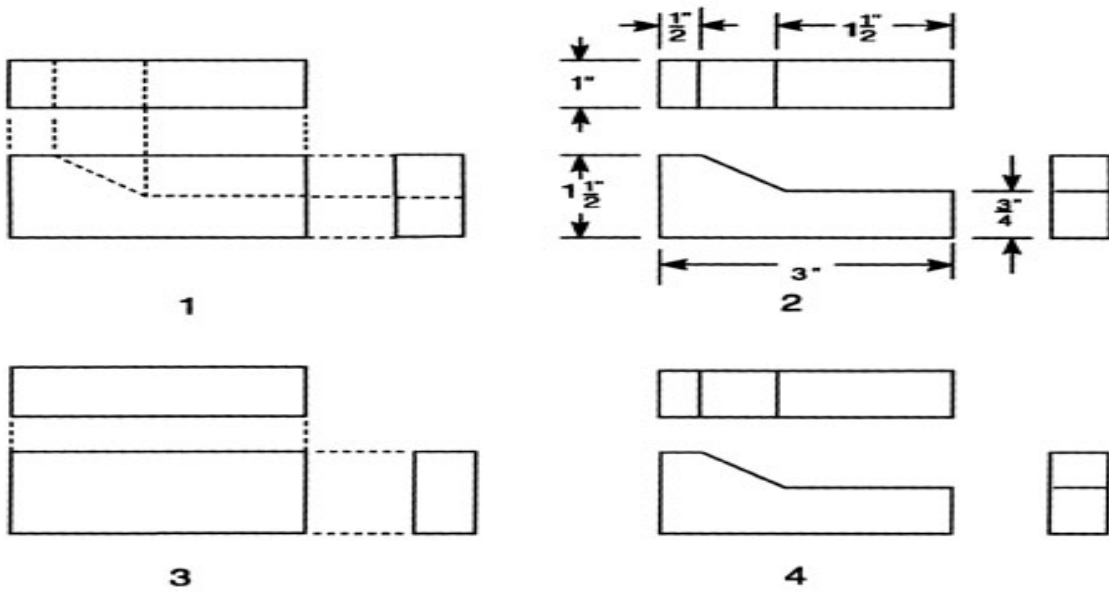


FIGURA : 32

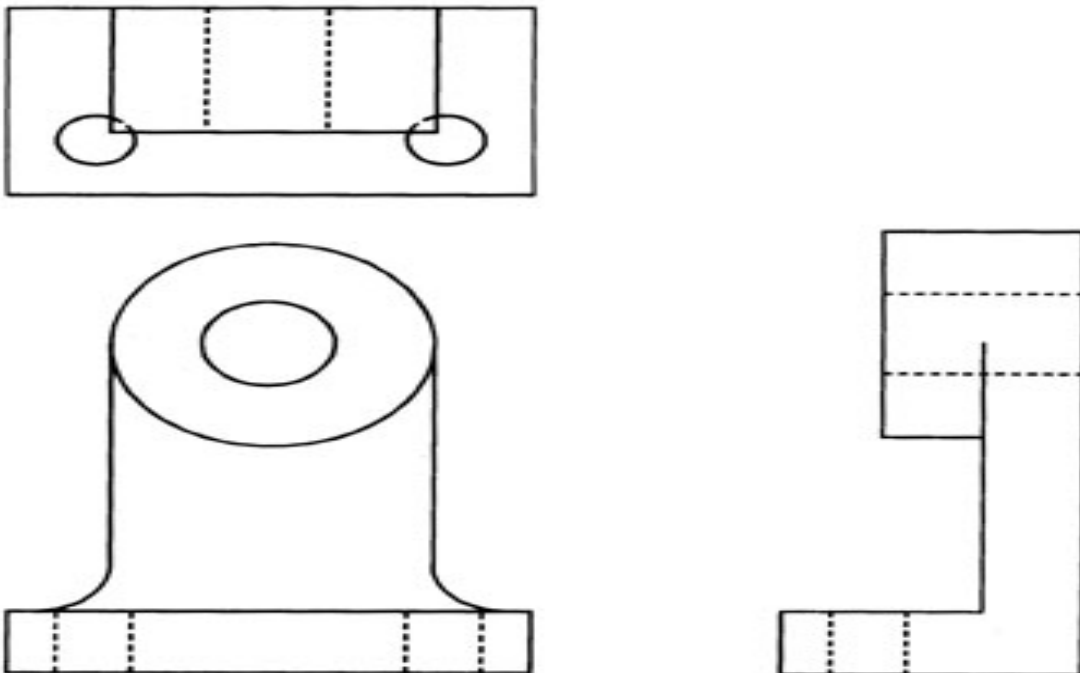


FIGURA : 33

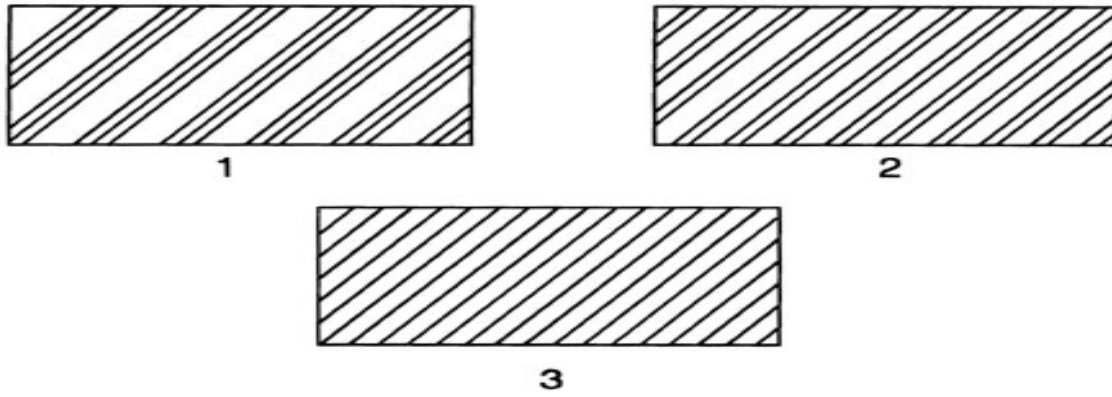


FIGURA : 34

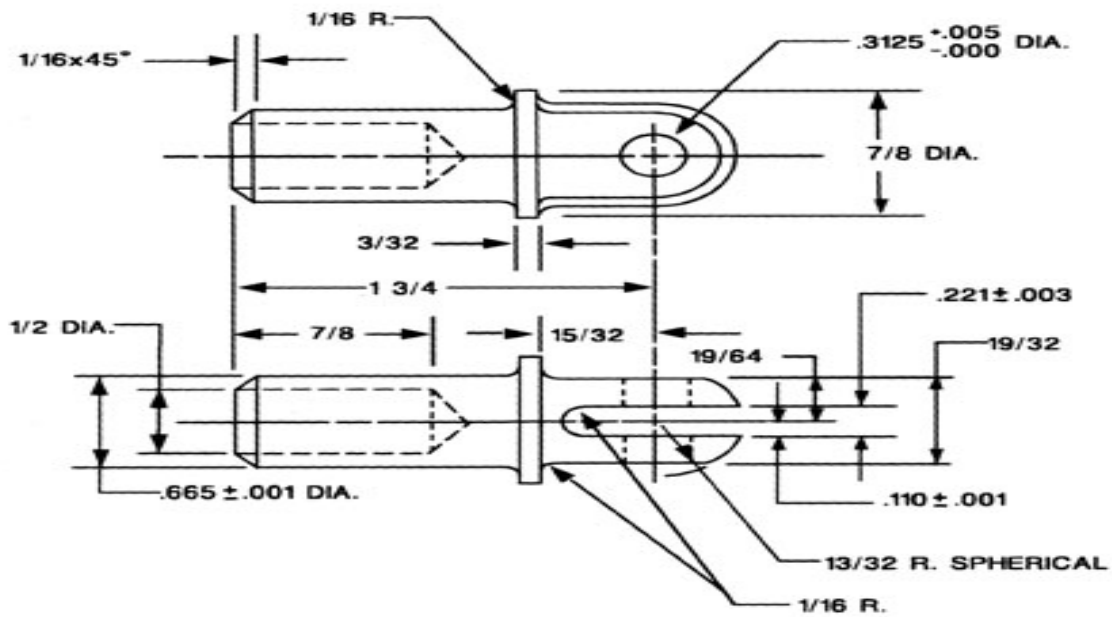


FIGURA : 35

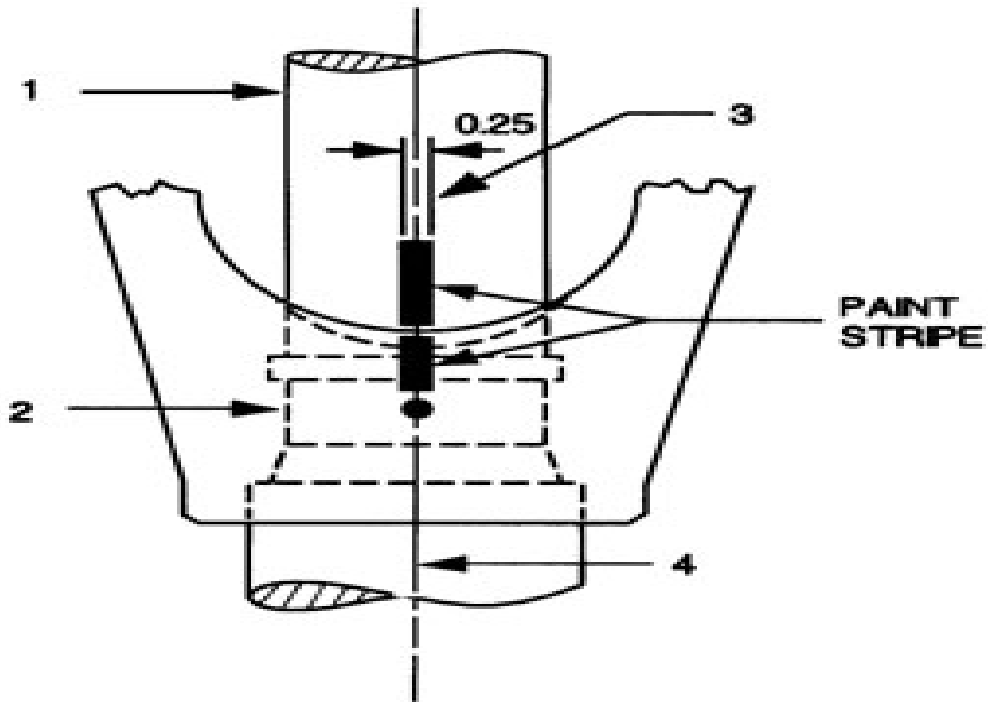


FIGURA : 36

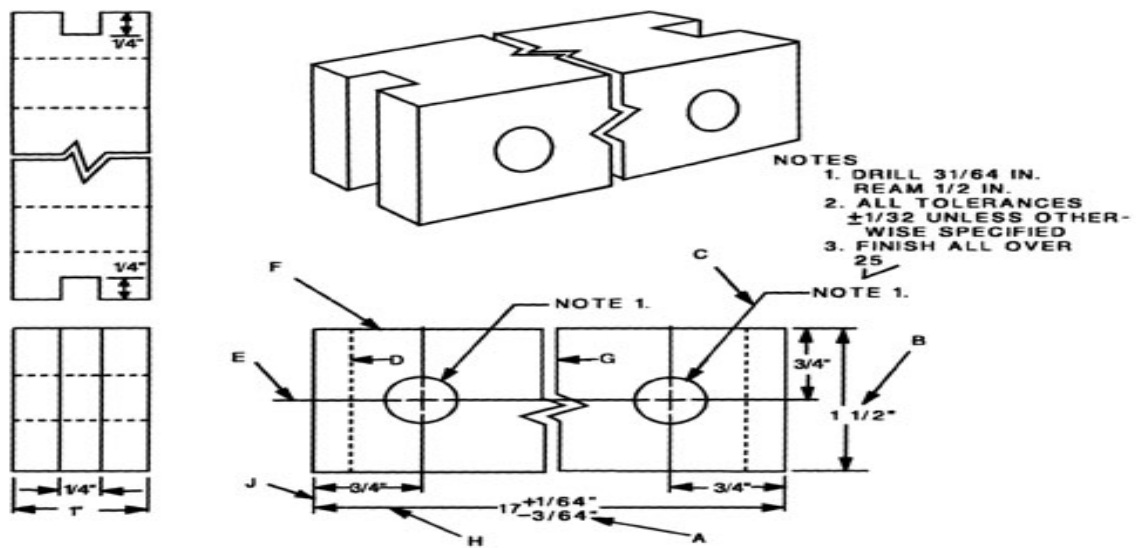


FIGURA : 37

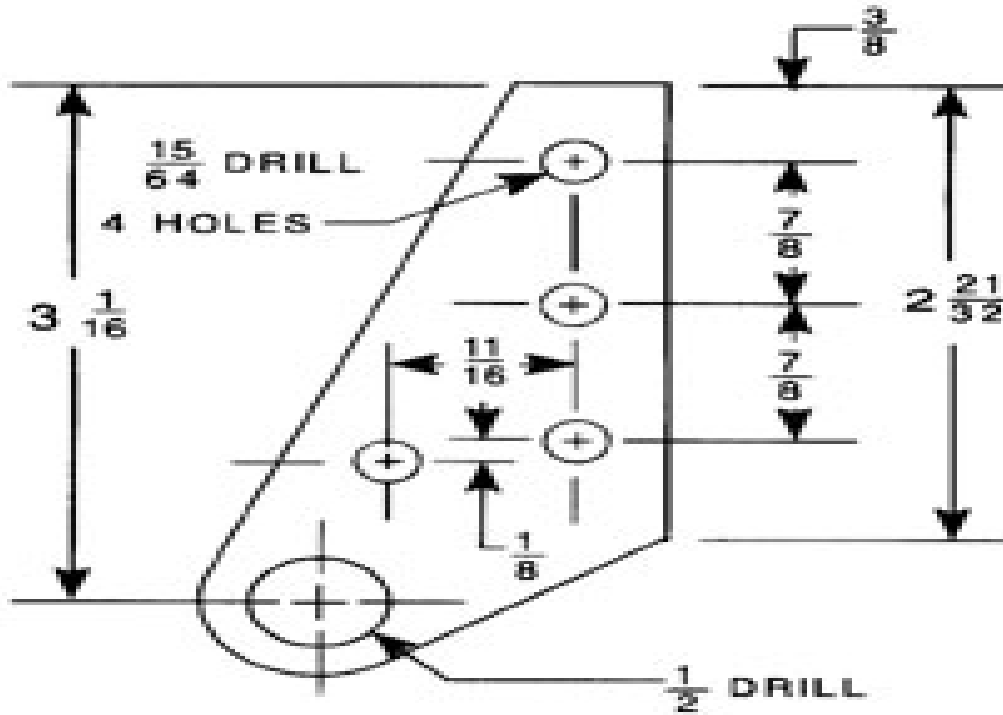


FIGURA : 38

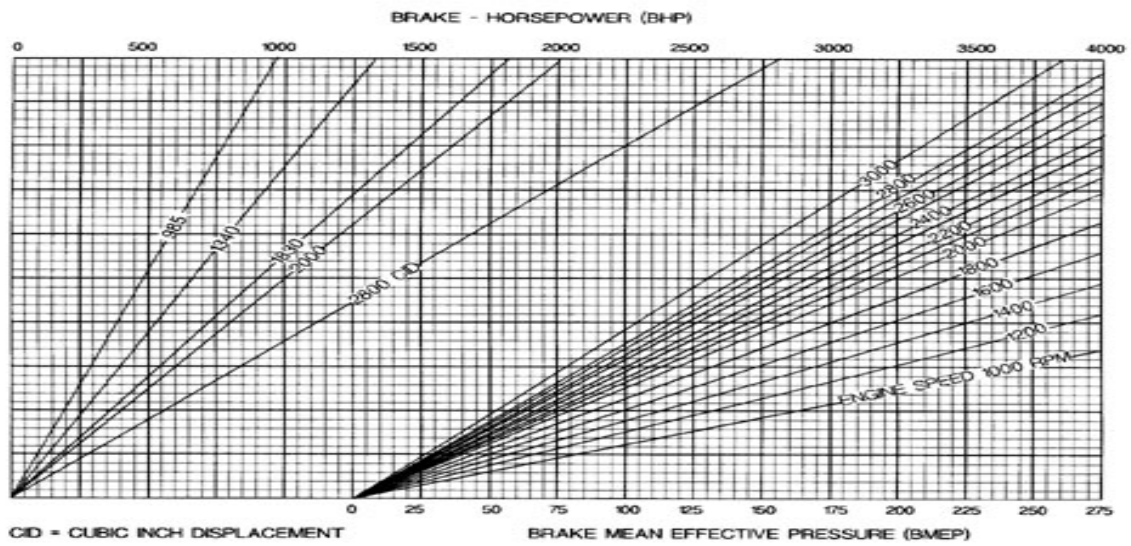


FIGURA : 39

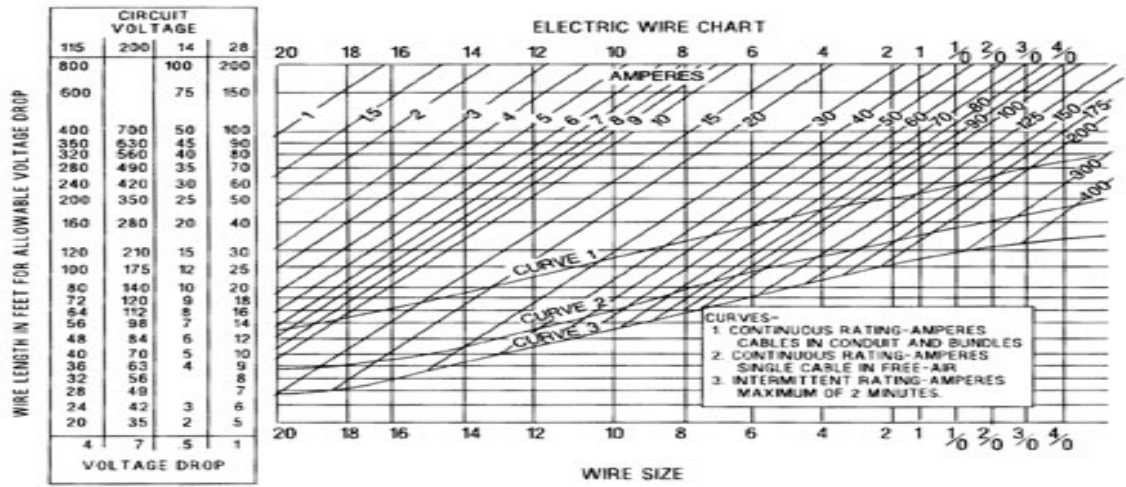


FIGURA : 40

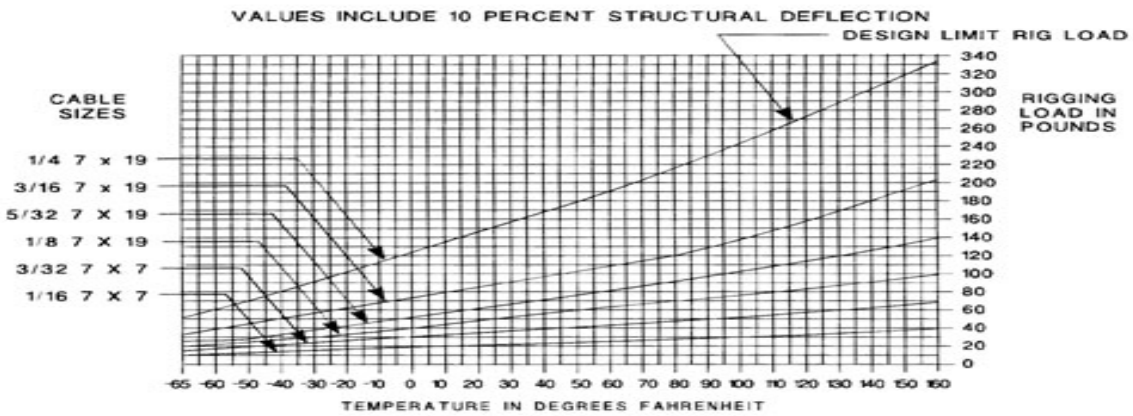


FIGURA : 41

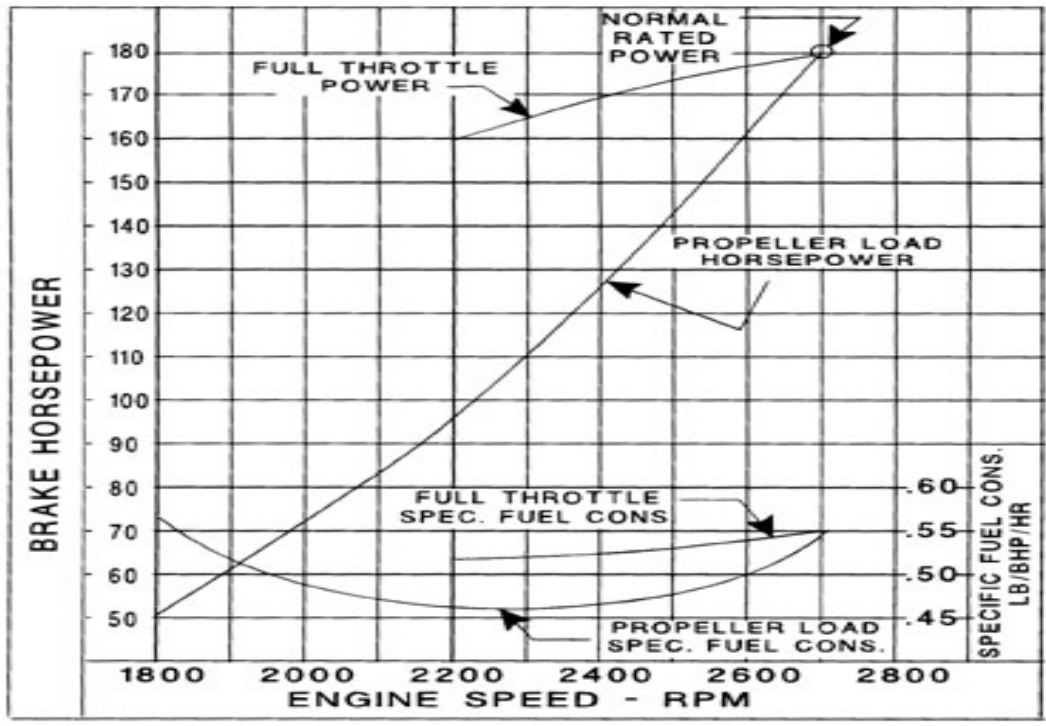


FIGURA : 42

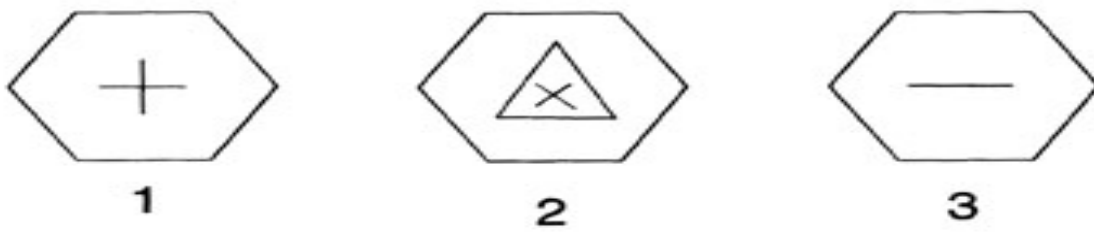


FIGURA : 43

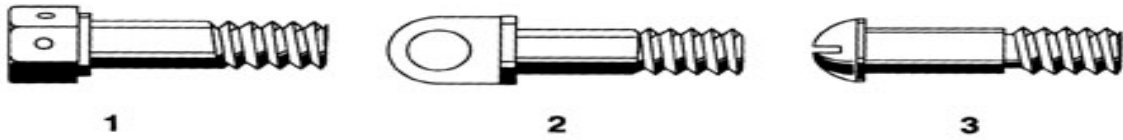


FIGURA : 44

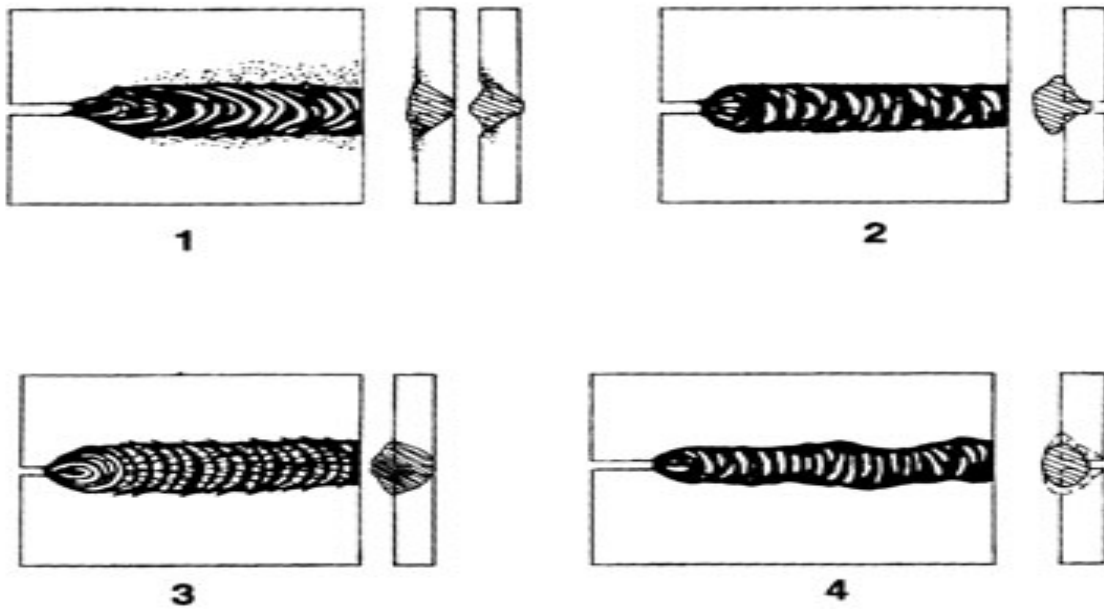


FIGURA : 45

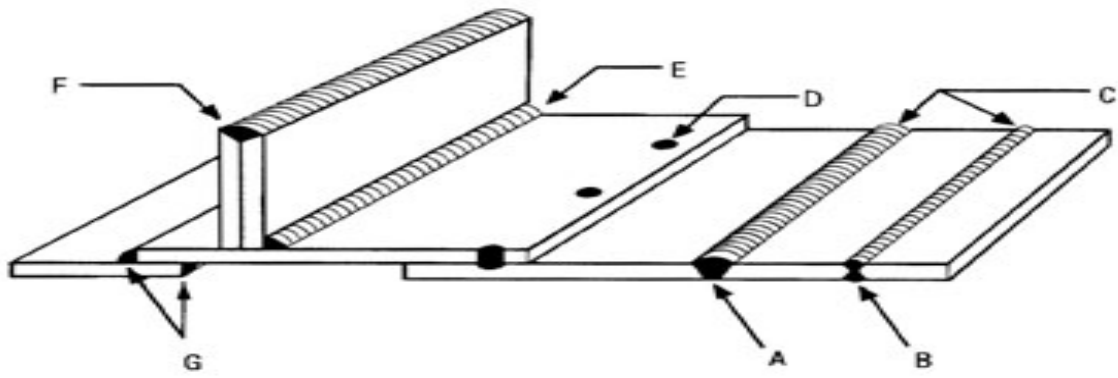


FIGURA : 46

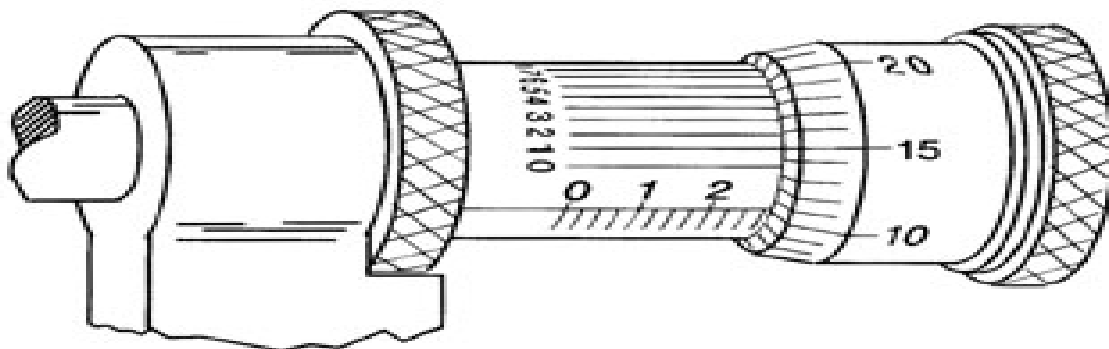


FIGURA : 47

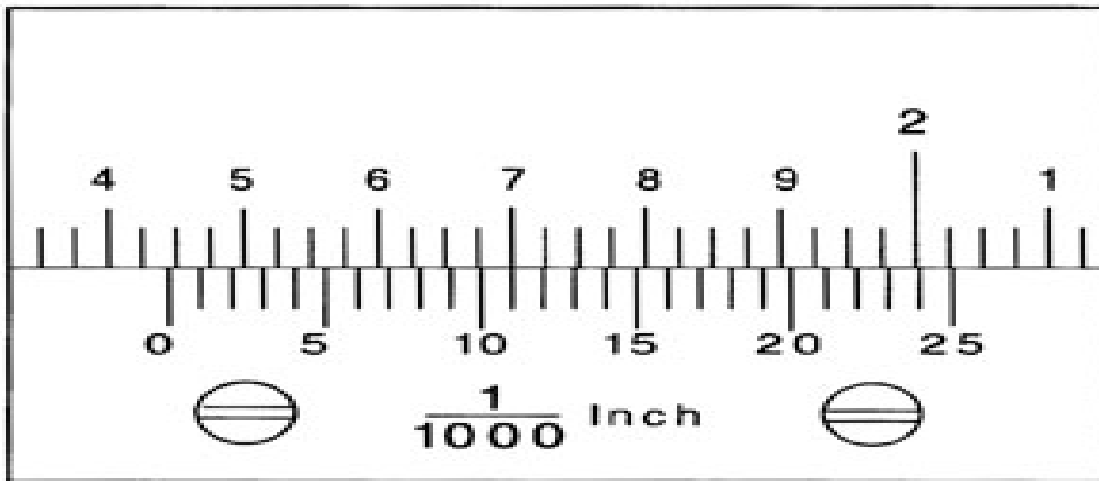


FIGURA : 48

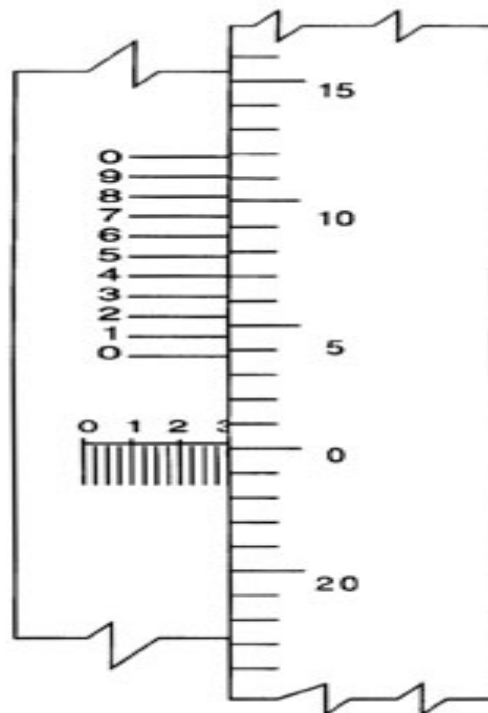


FIGURA : 49

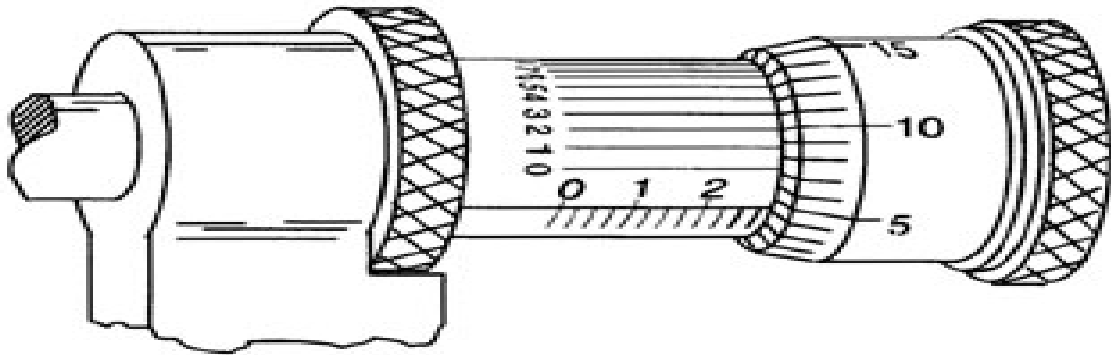


FIGURA : 50

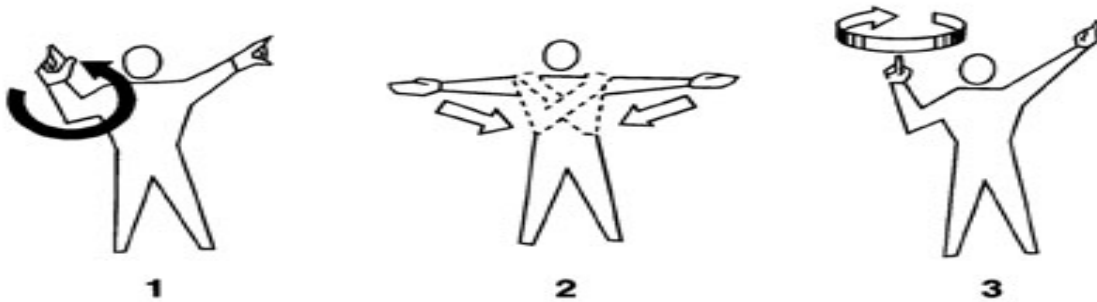


FIGURA : 51

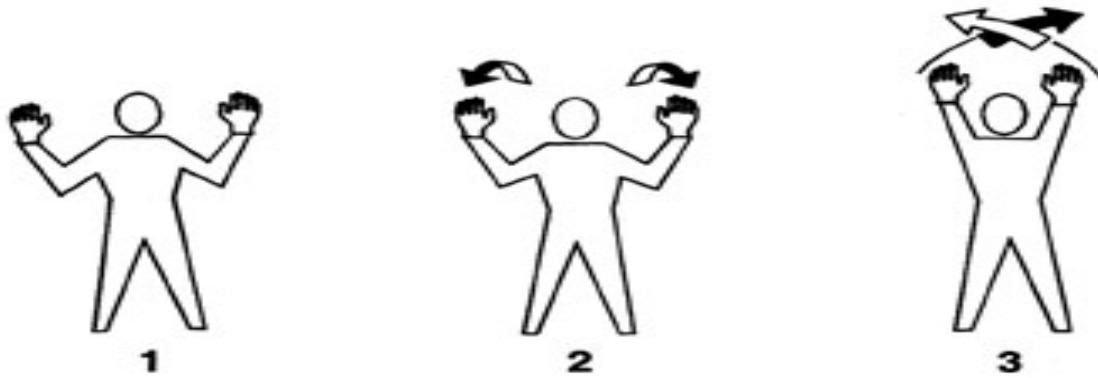


FIGURA : 52

$$\sqrt{(-4)^0 + 6 + (\sqrt[4]{1296}) (\sqrt{3})^2} =$$

FIGURA : 53

$$\frac{\sqrt[2]{31} + \sqrt[2]{43}}{(17)^2} =$$

FIGURA : 54

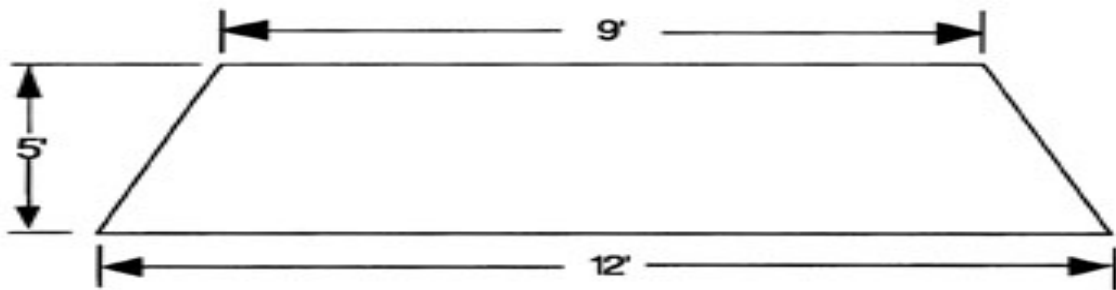


FIGURA : 55

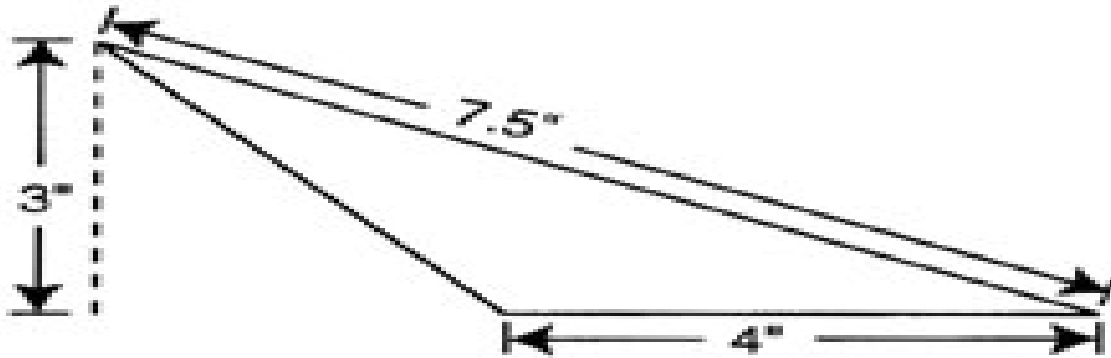


FIGURA : 56

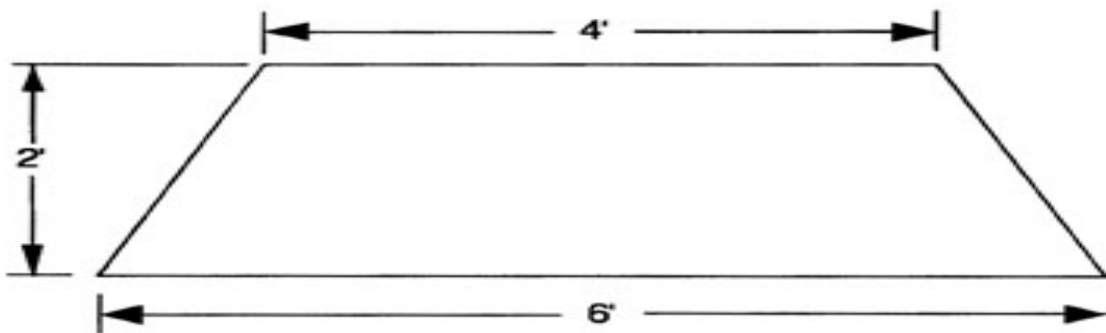


FIGURA : 57

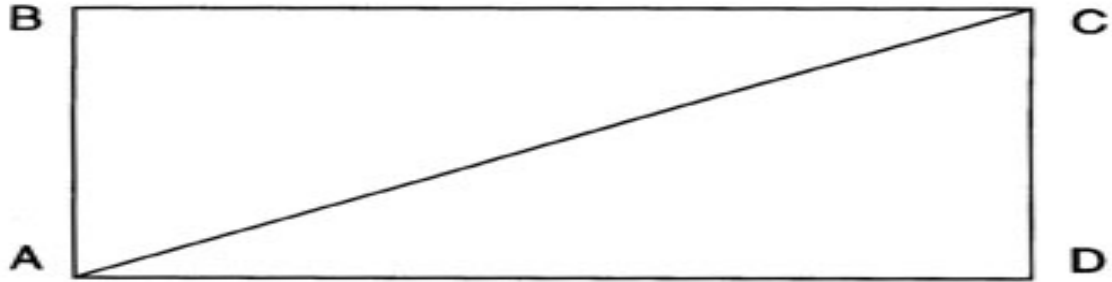


FIGURA : 58

$$\frac{(-35 + 25)(-7) + (\pi)(16^{-2})}{\sqrt{25}} =$$

FIGURA : 59

$$\frac{-4 \sqrt{125}}{-6 \sqrt{-36}} =$$

FIGURA : 60

$$\frac{(-5 + 23) (-2) + (3^{-3}) (\sqrt{64})}{-27 \div 9} =$$

FIGURA : 61

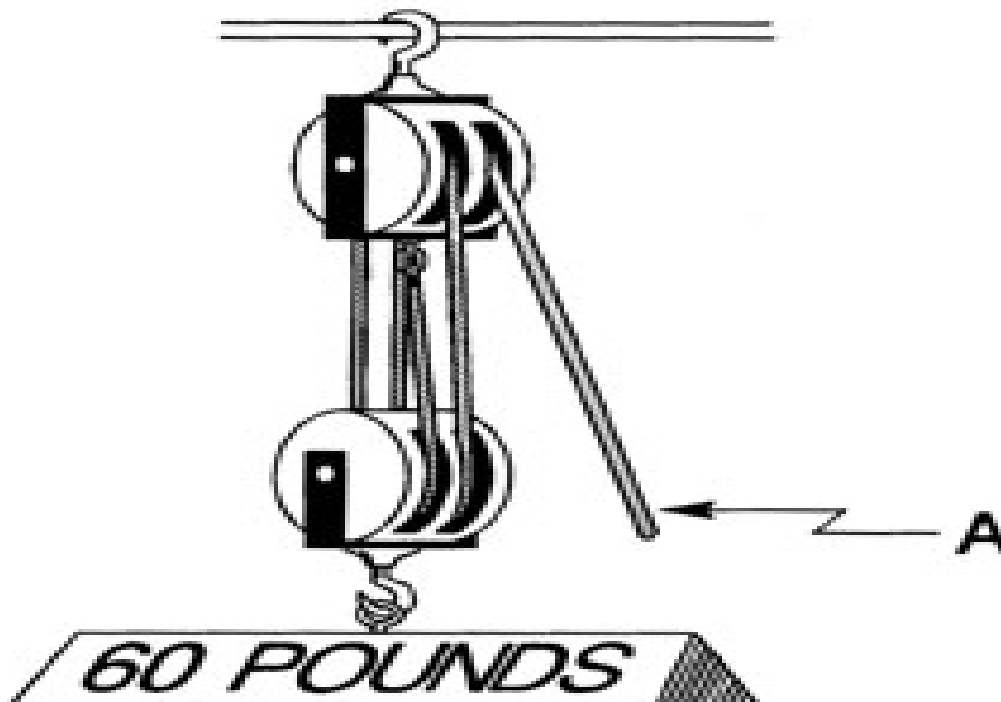


FIGURA : 62

Area 1				4	4	MS20470AD-4-4	RIVET				REV.	B	
				8	8	NAS1097-3-4	RIVET						
				4	4	NAS1473-3A	DOMED NUTPLATE						
				5	5	NAS1097-4-5	RIVET						
				37	37	NAS1097-4-4	RIVET						
				2	2	-103	CLIP	340	2024-Y3				
				1	2	-102	DOUBLER	040	7075-G AL				
					1	-101	DOUBLER	040	2024-Y3				
						PART NUMBER	NAME	SHEET	MAT'L	ZONE			
						DASH NUMBERS SHOWN	DASH NUMBERS OPPOSITE	UNIT WT.	DWG. AREA				
						ALL	N/A	FIRST	RELEASE				
						UNLESS OTHERWISE NOTED	FOR CONTINUATION SEE ZONE						
				-200	100								
				REQ'D. PER ASSEM.									
										PROJECT	T. SMITH	<i>T. Smith</i>	
										DESIGN	R. EAMER	<i>R. Eamer</i>	
										ENGINEER	G. WINN	<i>G. Winn</i>	
										FAA D.E.R.		<i>S. Wright</i>	
										DWG. CHECKER	I. WRIGHT	<i>I. Wright</i>	
										DFTSMN.	S. LINZ	<i>S. Linz</i>	
												<i>7A7</i>	
1				The use of this document shall be restricted to conveyance of information to customers or vendors only. Neither classified nor unclassified documents may be reproduced without the written consent of THE SPEEDWIND AIRCRAFT CORP.		992-148-XXX			SPEEDWIND AIRCRAFT ENGINEERING SECTION LAST CHANCE AIRPORT ANYTOWN OK 73125-1234				

FIGURA : 63

The following is the compliance portion of an Airworthiness Directive. "Compliance required as indicated, unless already accomplished:

I. Aircraft with less than 500-hours' total time in service: Inspect in accordance with instructions below at 500-hours' total time, or within the next 50-hours' time in service after the effective date of this AD, and repeat after each subsequent 200 hours in service.

II. Aircraft with 500-hours' through 1,000-hours' total time in service: Inspect in accordance with instructions below within the next 50-hours' time in service after the effective date of this AD, and repeat after each subsequent 200 hours in service.

III. Aircraft with more than 1,000-hours' time in service: Inspect in accordance with instructions below within the next 25-hours' time in service after the effective date of this AD, and repeat after each subsequent 200 hours in service."