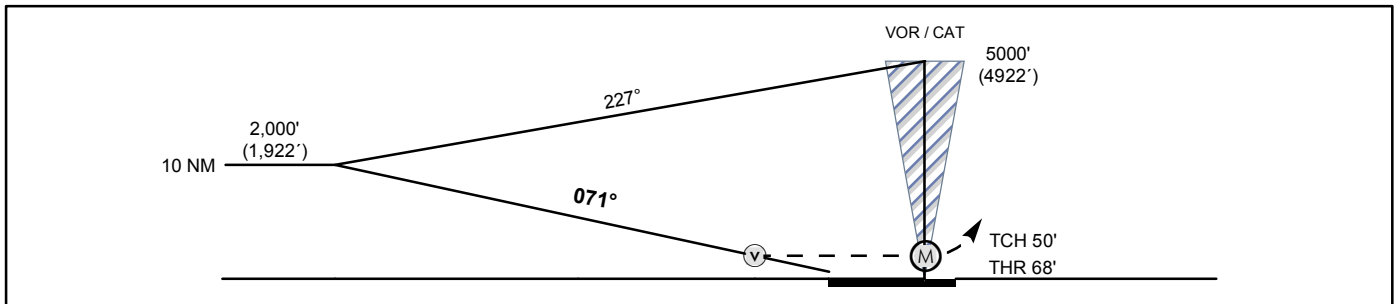
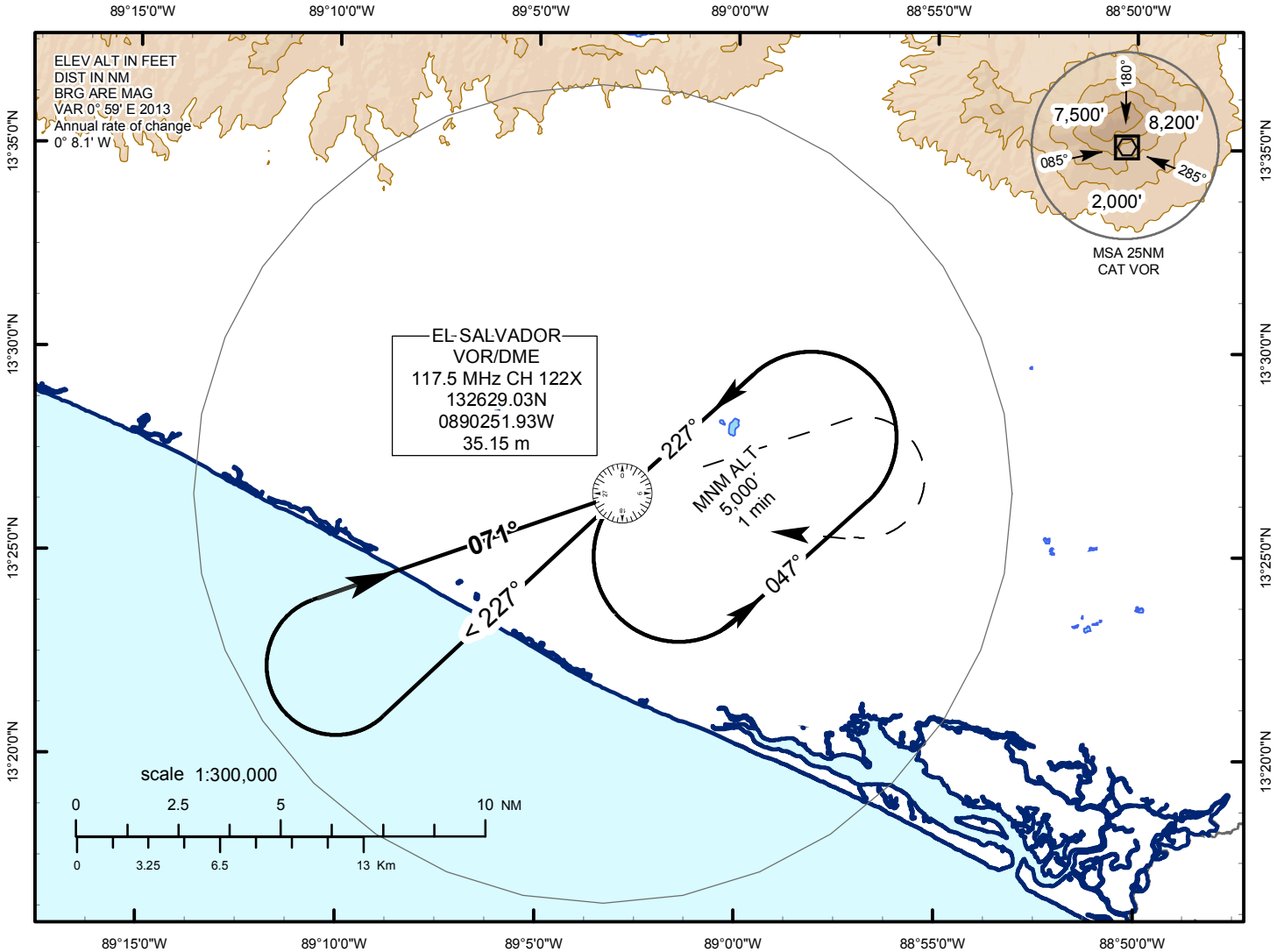


INSTRUMENT  
APPROACH  
CHART

AERODROME ELEV 101 ft.  
HEIGHTS RELATED TO  
THR RWY 07 ELEV 68 ft.

ATIS 127.6  
APP 119.9  
TWR 118.0

EL SALVADOR / EL SALVADOR INTL  
MONSEÑOR OSCAR ARNULFO ROMERO  
VOR RWY 07



Rate of Descend	GS - Kt	70	90	100	120	140	160	MISSED APCH: Climb on hdg 071° until reaching 1 200' turn right to 5 000' direct CAT VOR and hold. Request ATC instructions	
	Ft/m	NA	NA	NA	NA	NA	NA		
Map at VOR	Min	NA	NA	NA	NA	NA	NA		
CAT	STRAIGHT IN APPROACH MDA (H) 520' (442')						MAX Kts	CIRCLE TO LAND	
				ALS out				MDA(H)	Visibility
A	800m			1600m			90	520'(419')	1.6 KM
B							120	560'(459')	
C	1200m			2000m			140		2.4 KM
D	1600m			2400m			165	660'(559')	3.2 KM

CHANGES: NEW EDITION

WGS 84

**INTENTIONALLY LEFT BLANK**